

TOP PART OF Z-CLIP  
MOUNTS TO  
WALL PAD

WALL

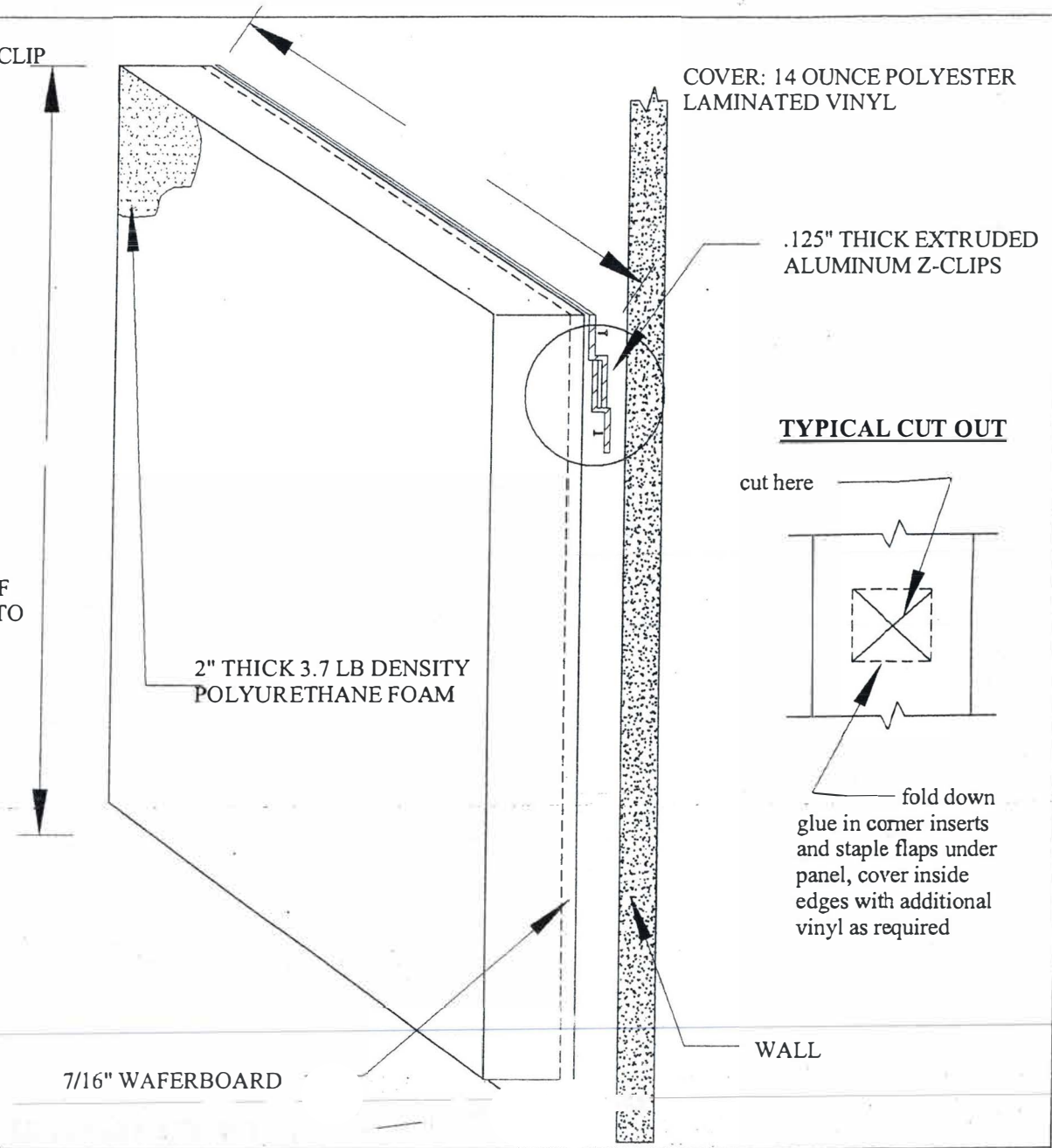
BOTTOM PART OF  
Z-CLIP MOUNTS TO  
WALL

**ARCHITECTURAL SPECIFICATION:**

AS MANUFACTURED BY AK ATHLETIC EQUIPMENT, INC.  
IN COLUMBUS, OH. SIZE TO BE  
2' WIDE X 6' HIGH X 2" THICK  
WITH OUT 1" ON TOP AND BOTTOM OF EACH PANEL.  
PADS TO BE CONSTRUCTED USING COMBO FOAM OF 5/8"  
POLYURETHANE AND 1 3/8" POLYETHYLENE FOAM  
CEMENTED TO 7/16" OSB.  
PADS ARE ATTACHED TO WALL USING Z-CLIPS ON  
TOP AND BOTTOM.

COVERED IN MATERIAL OF 14 OUNCE VINYL THAT IS  
FLAME RETARDANT MATERIAL WHICH MEETS THE  
REQUIREMENTS OF CALIFORNIA FIRE MARSHALL. VINYL  
PASSES FLAME TEST ASTM E-84-87 AND IS RATED CLASS A  
FLAMESPREAD.

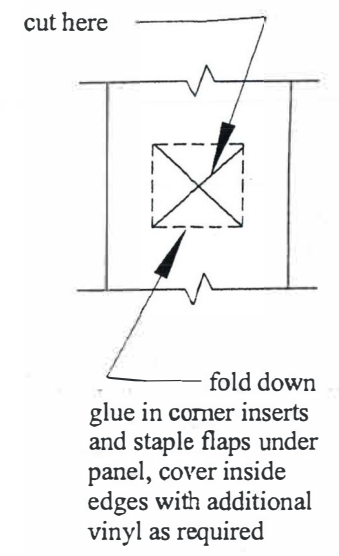
COLOR AVAILABLE ARE: WHITE, GREY, BLACK, NAVY  
BLUE, ROYAL BLUE, SPORT BLUE, MARINE BLUE, FOREST  
GREEN, KELLY GREEN, LIME GREEN, BORDEAUX,  
MAROON, RED, FLAIR RED, PINK, BROWN, BEIGE,  
ORANGE, LIGHT GOLD, YELLOW, PURPLE



COVER: 14 OUNCE POLYESTER  
LAMINATED VINYL

.125" THICK EXTRUDED  
ALUMINUM Z-CLIPS

**TYPICAL CUT OUT**



2" THICK 3.7 LB DENSITY  
POLYURETHANE FOAM

7/16" WAFERBOARD

WALL

<b>DEALER:</b>		
<b>CUSTOMER:</b>		
<b>PROJECT:</b>		
<b>Date:</b>	<b>Approved by:</b>	<b>Drawn by:</b> A. Katz.
<b>MODEL: WP-26UZ</b>		
<b>A K ATHLETIC EQUIPMENT, INC.</b> <b>COLUMBUS, OHIO 43227.</b>		<b>Drawing number: 110M</b>