

TOP PART OF Z-CLIP MOUNTS TO WALL PAD

WALL

BOTTOM PART OF Z-CLIP MOUNTS TO WALL

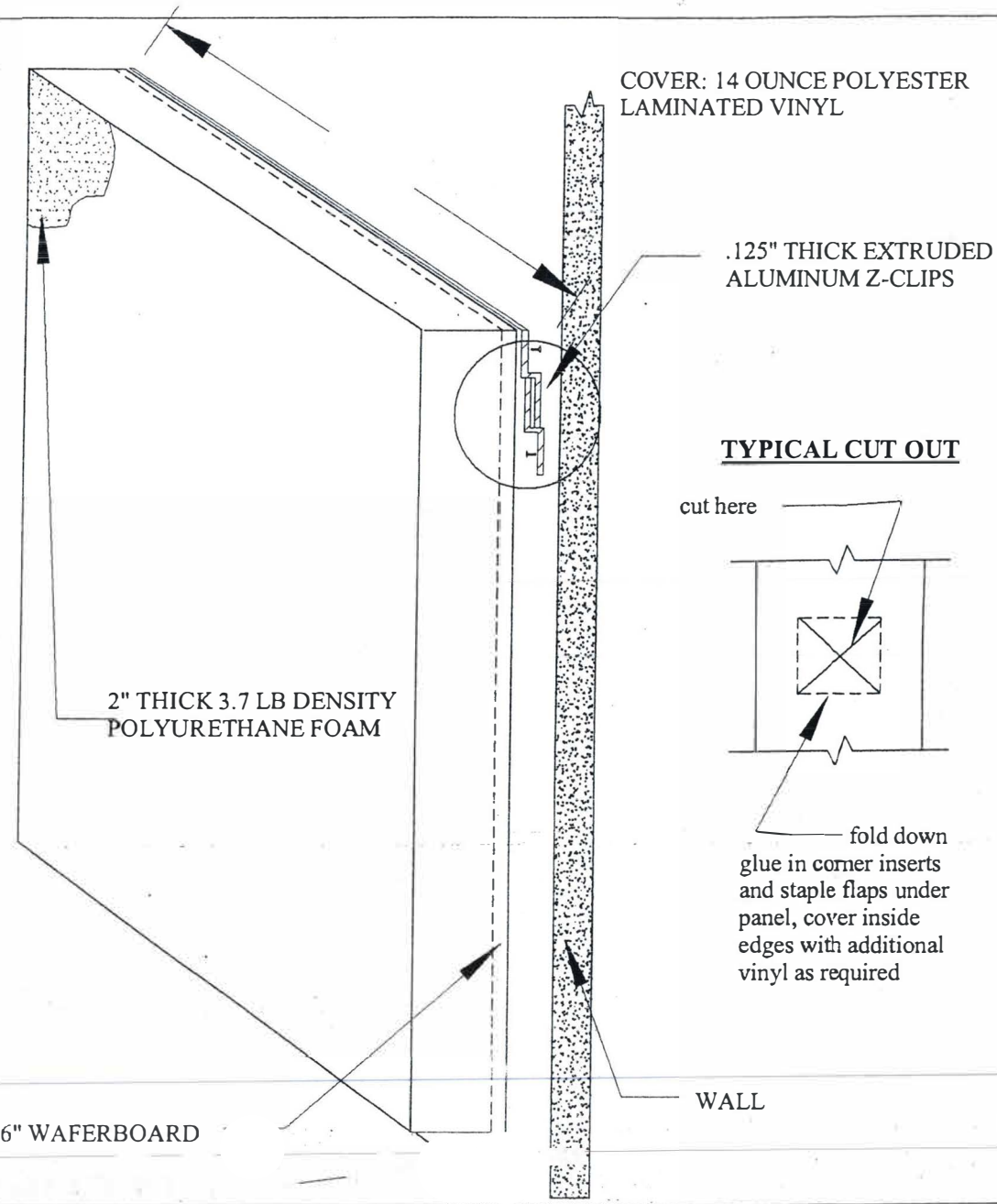
4'

ARCHITECTURAL SPECIFICATION:

AS MANUFACTURED BY AK ATHLETIC EQUIPMENT, INC. IN COLUMBUS, OH. SIZE TO BE 2' WIDE X 4' HIGH X 2" THICK WITH OUT 1" ON TOP AND BOTTOM OF EACH PANEL. PADS TO BE CONSTRUCTED USING COMBO FOAM OF 5/8" POLYURETHANE AND 1 3/8" POLYETHYLENE FOAM CEMENTED TO 7/16" OSB. PADS ARE ATTACHED TO WALL USING Z-CLIPS ON TOP AND BOTTOM.

COVERED IN MATERIAL OF 14 OUNCE VINYL THAT IS FLAME RETARDANT MATERIAL WHICH MEETS THE REQUIREMENTS OF CALIFORNIA FIRE MARSHALL. VINYL PASSES FLAME TEST ASTM E-84-87 AND IS RATED CLASS A FLAMESPREAD.

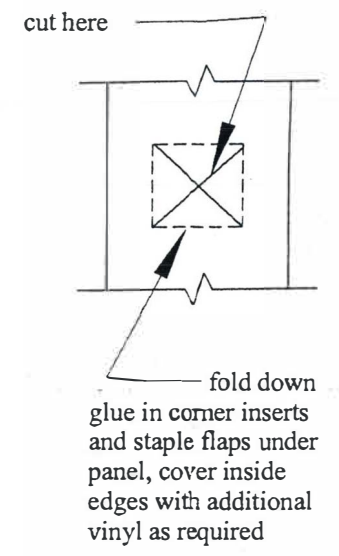
COLOR AVAILABLE ARE: WHITE, GREY, BLACK, NAVY BLUE, ROYAL BLUE, SPORT BLUE, MARINE BLUE, FOREST GREEN, KELLY GREEN, LIME GREEN, BORDEAUX, MAROON, RED, FLAIR RED, PINK, BROWN, BEIGE, ORANGE, LIGHT GOLD, YELLOW, PURPLE



COVER: 14 OUNCE POLYESTER LAMINATED VINYL

.125" THICK EXTRUDED ALUMINUM Z-CLIPS

TYPICAL CUT OUT



2" THICK 3.7 LB DENSITY POLYURETHANE FOAM

7/16" WAFERBOARD

WALL

DEALER:		
CUSTOMER:		
PROJECT:		
Date:	Approved by:	Drawn by: A. Katz.
MODEL: WP-26UZ		
A K ATHLETIC EQUIPMENT, INC.		Drawing number: 110M
COLUMBUS, OHIO 43227.		