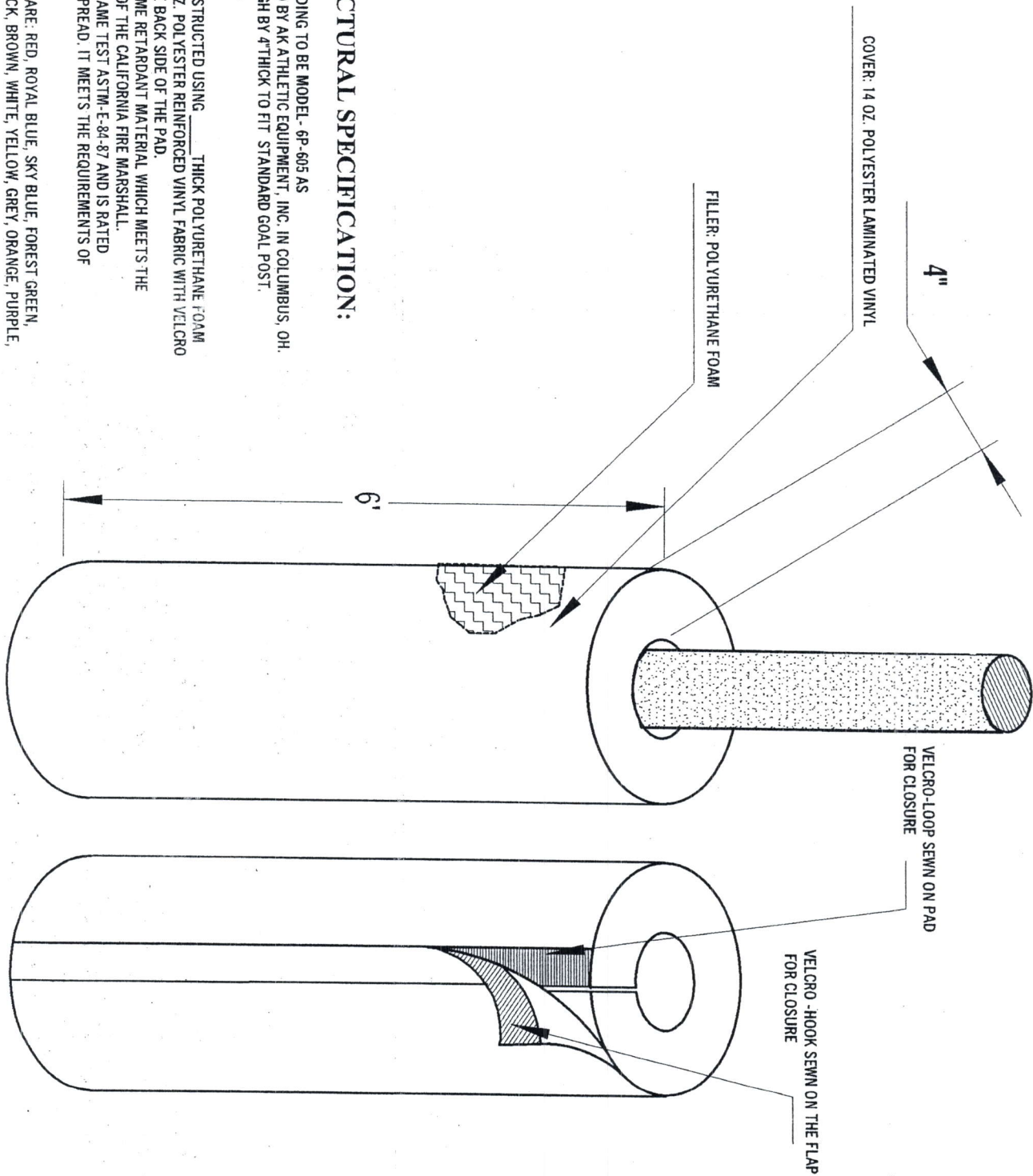


DEALER:  
CUSTOMER:  
PROJECT:

MODEL:

AK ATHLETIC EQUIPMENT, INC. - COLUMBUS, OH



### ARCHITECTURAL SPECIFICATION:

GOAL POST PADDING TO BE MODEL - 6P-605 AS MANUFACTURED BY AK ATHLETIC EQUIPMENT, INC. IN COLUMBUS, OH. SIZE TO BE 6" HIGH BY 4" THICK TO FIT STANDARD GOAL POST. DIAMETER POLL.

PADS TO BE CONSTRUCTED USING \_\_\_\_\_ THICK POLYURETHANE FOAM ENCASED IN 14 OZ. POLYESTER REINFORCED VINYL FABRIC WITH VELCRO CLOSURE ON THE BACK SIDE OF THE PAD. VINYL TO BE FLAME RETARDANT MATERIAL WHICH MEETS THE REQUIREMENTS OF THE CALIFORNIA FIRE MARSHALL. VINYL PASSES FLAME TEST ASTM-E-84-87 AND IS RATED CLASS A FLAMESPREAD. IT MEETS THE REQUIREMENTS OF NFPA 701.

COLORS AVAILABLE ARE: RED, ROYAL BLUE, SKY BLUE, FOREST GREEN, KELLY GREEN, BLACK, BROWN, WHITE, YELLOW, GREY, ORANGE, PURPLE, MAROON AND BEIGE.

FRONT OF PAD

BACK SIDE OF PAD