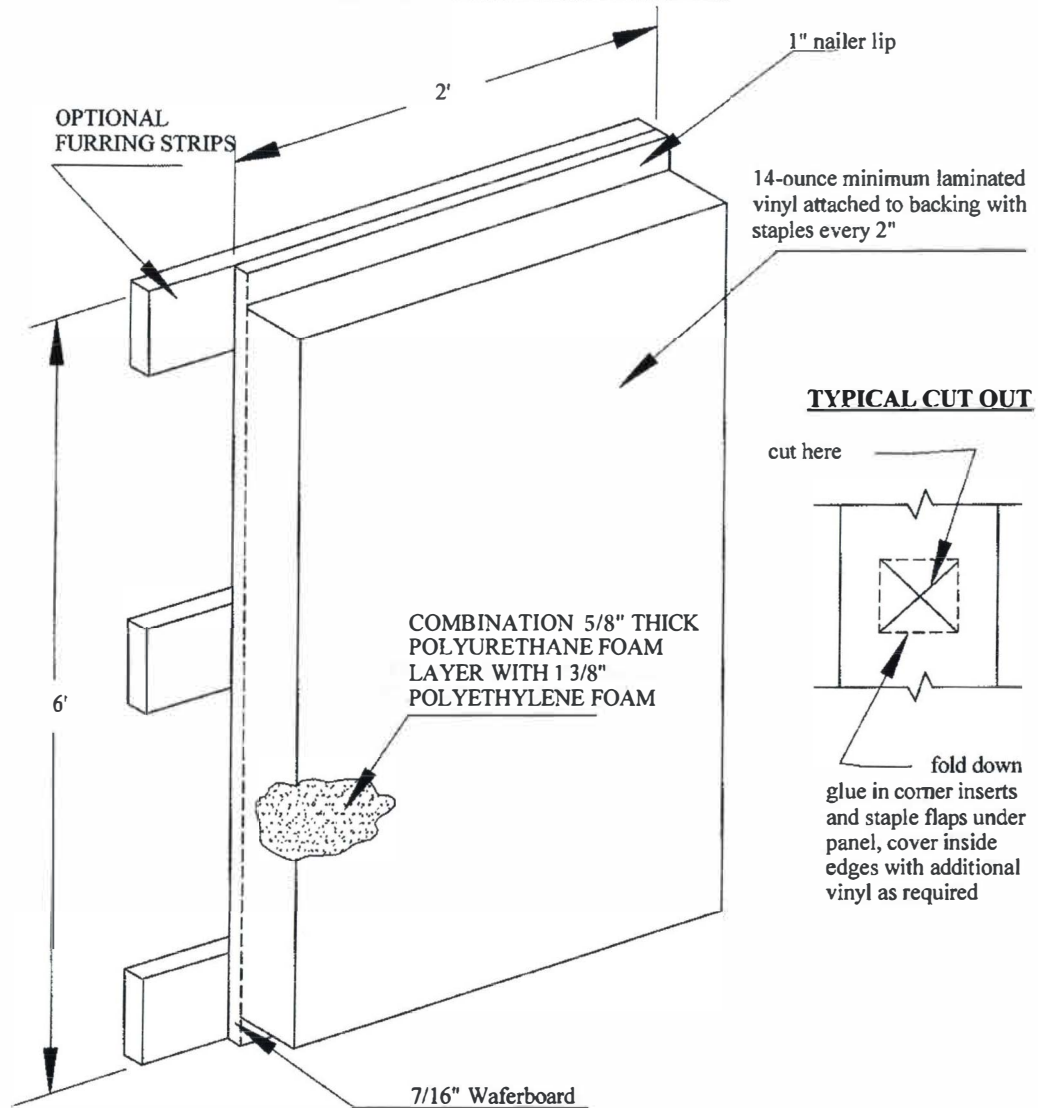


ARCHITECTURAL SPECIFICATION:
 WALL PADDING TO BE MODEL- WP-26LU AS MANUFACTURED BY AK ATHLETIC EQUIPMENT, INC. IN COLUMBUS, OH. SIZE TO BE 2' WIDE BY 2 1/2" DEEP BY 6' HIGH WITH 1" LIP ON TOP AND BOTTOM OF EACH PANEL.
 PADS TO BE CONSTRUCTED USING 2" THICK FOAM OF 5/8" POLYURETHANE AND 1 3/8" POLYETHYLENE CEMENTED TO 7/16" OSB. COVER MATERIAL TO BE _____ (COLOR) 14 OUNCE POLYESTER LAMINATED VINYL STAPLED TO BACKING EVERY TWO INCHES.

VINYL IS PUNCTURE AND TEAR RESISTANT WITH MILDEW, ROT AND FUNGICIDE COMBATING PROPERTIES. COLOR AVAILABLE ARE: WHITE, GRAY, BLACK, NAVY, ROYAL BLUE, SPORT BLUE, MARINE BLUE, FOREST GREEN, KELLY GREEN, LIME GREEN, BORDEAUX, MAROON, RED, FLAIR RED, PINK, BROWN, BEIGE, ORANGE, LIGHT GOLD, YELLOW, PURPLE



WEIGHT: 25 LBS
AMOUNT:
PACKAGED:

Date:	Approved by:	Drawn by: A. Katz.
-------	--------------	-----------------------

MODEL: WP-26LU

AK ATHLETIC EQUIPMENT, INC.
COLUMBUS, OHIO 43213

Drawing number: 110

MAROON AND BEIGE